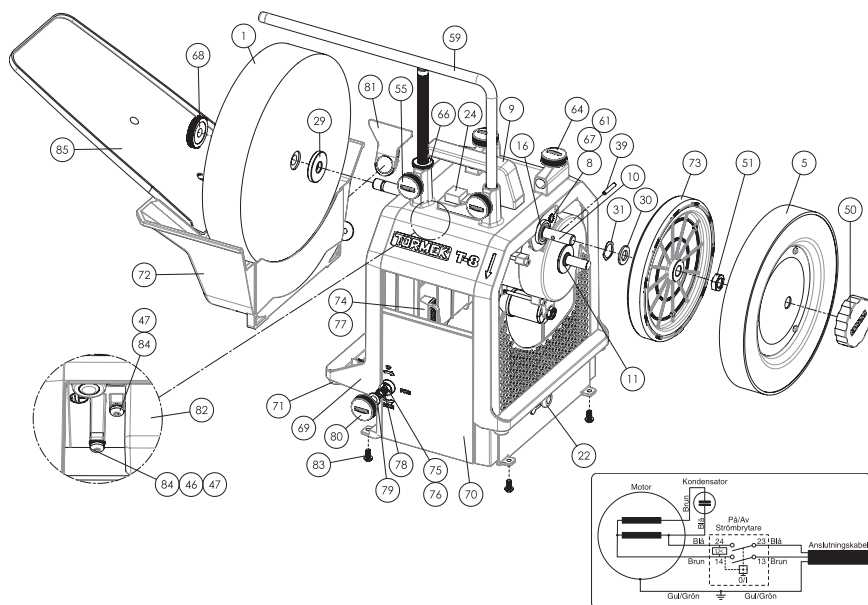


## Spare parts list – Model T-8



Pos.	Designation	Quantity	Part no.	Pos.	Designation	Quantity	Part no.
1	Grinding wheel	1	6011	55	Locking knob for universal support	2	7031
5	Honing wheel	1	0591-07	59	US-105 Universal Support with Micro Adjust T-8	1	0220
8	Swing shaft	1	1015	61	* Spacer spring for motor	1	0561
9	Handle including nut & washer	1	3041	64	Locking knob	2	7120
10	** MSK-250 Stainless Steel Shaft with EzyLock	1	1041	66	Adjusting nut with dial	1	1162
11	Motor	1	6021 (230V) 6161 (115V)	67	* Bushing for swing shaft	1	3123
16	Main shaft bearing	2	3061	68	EzyLock	1	1190
21	* Power cable rack	1	6031 (SE) 6041 (CH) 6043 (US) 6050 (JP) 6053 (GB) 6055 (AU) 6057 (ZA)	69	Housing	1	2000
22	Grommet	1	6081 (230V) 6191 (115V)	70	Plastic cover	1	3070 (230V) 3130 (115V)
24	Power switch	1	6320 (230V) 6330 (115V)	71	Rubber foot	4	3198
29	Washer for grindstone	1	0130	72	R-3090 Water Trough for T-8	1	3090
30	Washer for drive wheel	1	5081	73	R-23 Drive Wheel with Rubber Ring T-8	1	2010
31	Wave washer	1	5410	74	Holder water trough	1	2020
39	Lock pin for wheel	1	5071	75	Gear shaft	1	2070
46	Collar washer	2	5001	76	Locking head	1	2080
47	Toothed lock washer	3	5021	77	Guide rail	2	3110
50	Locking knob for honing wheel	1	7041	78	Spring	1	0800
51	Nut. M12 h=4	1	1051	79	Washer 8.4×15×1.6	1	5020
				80	Water trough lift knob	1	7005
				81	Water trough scraper	1	3100
				82	Switch cover	1	3080
				83	Screw M5×10 mm	4	5590
				84	Screw M4×8 mm	3	5600
				85	Drip guard	1	3510

\* Not shown on the illustration.

\*\* Supplied only with MSK-250.

Weight (machine only): 14.8 kg